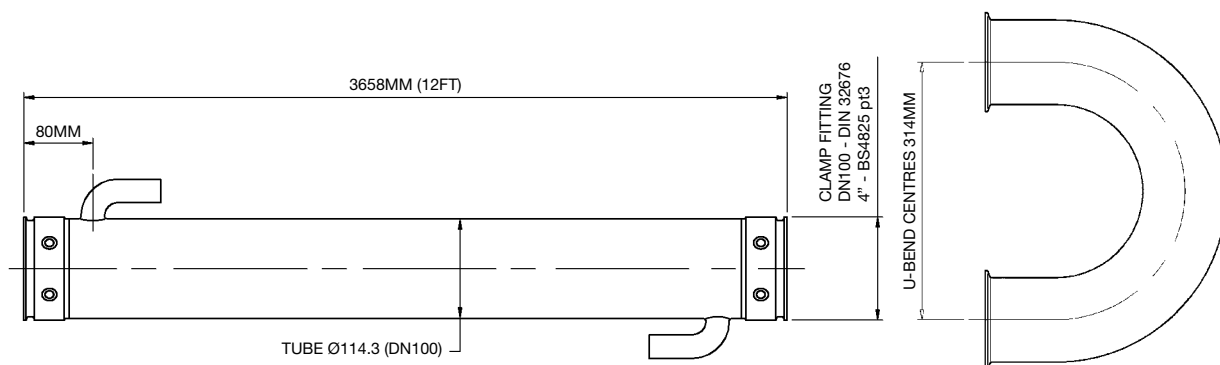


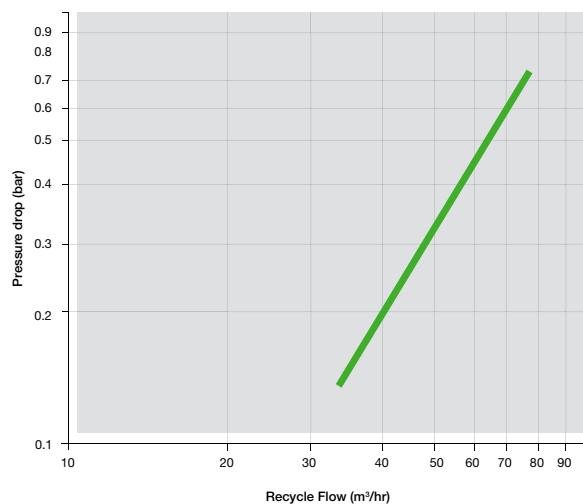
A37 MODULE

TECHNICAL DATA



A37 Data

Membrane area	5.1 m ²
Module weight (empty)	20.5 kg
Module weight (full)	52.6 kg
Shroud weight	17.2 kg
Core weight	3.3 kg
Fluid hold-up volume (tubeside)	15.6 litres
Fluid hold-up volume (shroudside)	16.5 litres



A37 Connections

Permeate	1" clamp - DIN 32676 (DN25), or 25mm 90° plain spigot
Feed	4" clamp - DIN 32676 (DN100)

Pressure Drop

The graph above gives an indication of the pressure drop through one A37 module and U-bend at various flow rates when using single strength apple juice at 50°C.

A37 Core Operation Limits

Maximum operating pressure	7 bar
Maximum operating temperature	60°C
pH range	1.5-10.5
Maximum chlorine exposure	250 ppm at pH >9

A37 MODULE TECHNICAL DATA

Materials of construction

Shroud	Stainless steel AISI316L (DIN 1.4404)
Core fixing pins	Stainless steel AISI303 (DIN 1.4305)
Membrane core	Polyester / PVDF membranes, polysulphone / epoxy resin core headers
Seals	Nitrile rubber, 70° shore hardness

All non-metallic components are made from constituents listed in the FDA Code of Federal Regulations.

Storage conditions

Minimum storage temperature:	-4°C
Maximum storage temperature:	30°C

NOTE: Cores are to be stored preserved and sealed.

Recoring Procedure – core removal

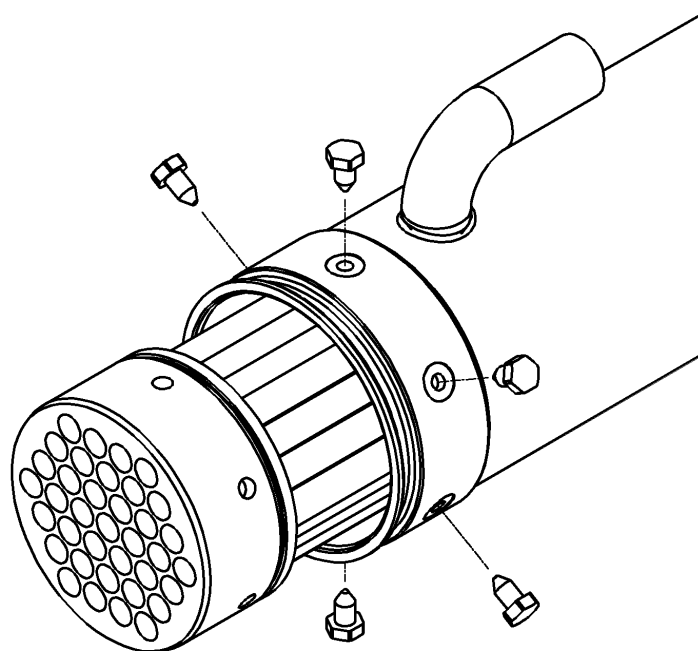
1. Drain the plant of liquid (shroudside first, then tubeside).
2. Remove the connecting U-bends and end seals from the module.
3. Unscrew the 12 locking pins from the module ends.
4. Push the core out of the shroud.

Recoring Procedure – core fitting

1. Clean the inside of the shroud and lightly lubricate the ends with silicone grease.
2. Fit new O-ring seals to the core ends.
3. Slide the core into the shroud.
4. Align the fixing holes.
5. Screw in the 12 locking pins.
6. Refit the end seals and U-bends to the module.
7. Refill the plant and check for leaks.

NOTES:

1. New cores contain a preservative and must be given a standard clean before commencing the process.
2. Use hand protection when handling new membrane cores.
3. Record the reference number, fitting date and position in the plant for all cores fitted.



A37 Part numbers

Module – FPS** core & shroud with spigot off-takes (including pins & seals)	FPS**/12/2
Module – FPS** core & shroud with clamp off-takes (including pins & seals)	FPS**/12/4
	FPS**/12/S
Shroud with spigot off-takes (including pins & seals)	MODULE A37/12/2
Shroud with clamp off-takes (including pins & seals)	MODULE A37/12/4
Core fixing pin (12 per module)	22011075
End seal (2 per module)	22011071
Permeate O-ring seal (2 per module)	22011072

**Replacement membrane cores are available as (FPS) 03, 10 or 20.

Quality Assurance

PCI Membranes designs, manages the manufacture of, and supplies equipment for liquid separation to the quality standard: BS EN ISO 9000:2015